
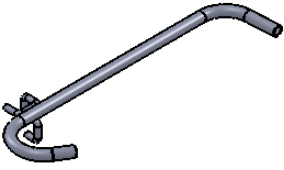
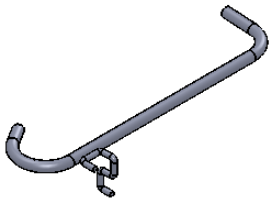


ASSEMBLY INSTRUCTION KM144902A

Frame 1 pcs	
R- holder 1 pcs	
L- holder 1 pcs	
Connection	